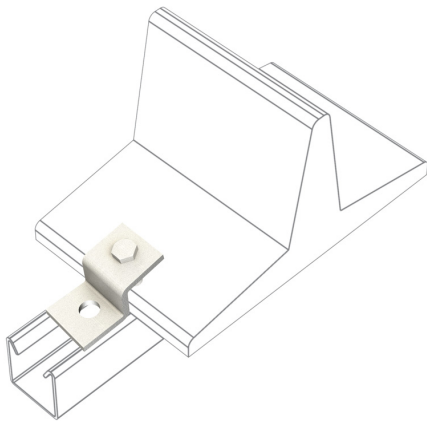


**PRODUCT CODE: MP41**  
CHANNEL BRACKET



**DESCRIPTION**

Z Clamp c/w Cone Point

**FINISH**

Hot Dipped Galvanised

**MATERIAL**

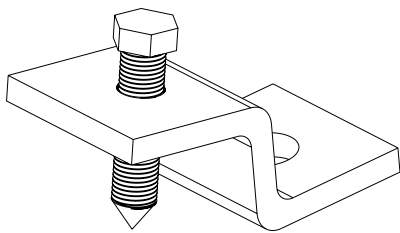
Steel

**PACKAGING**

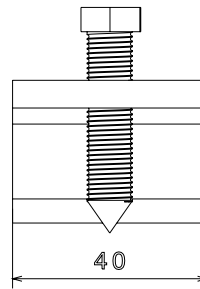
Packed in qty 50

**ADDITIONAL NOTES**

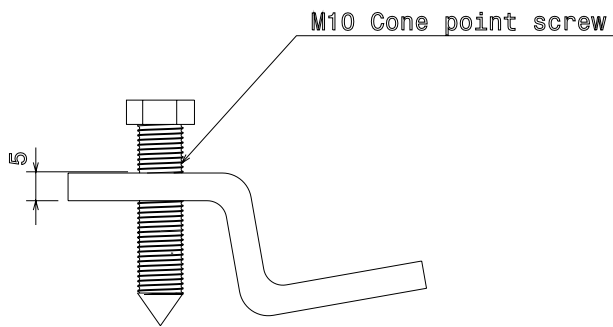
Supplied with M10 x 40mm 8.8HT BZP cone point bolt



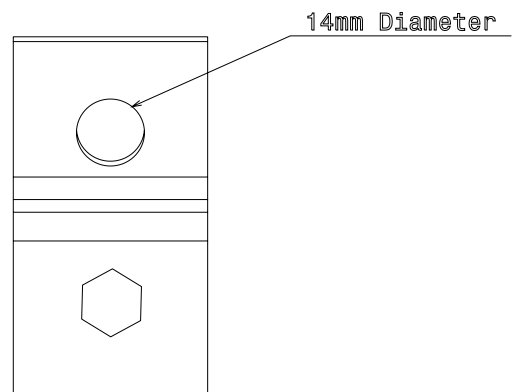
Isometric view



Front view



Side view



Top view